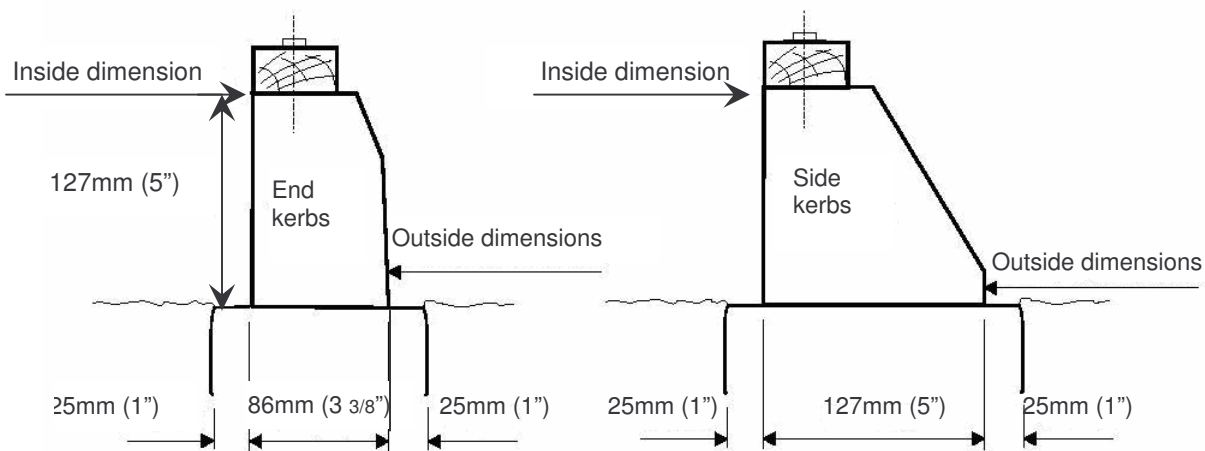


RECOMMENDED FOUNDATION DETAIL

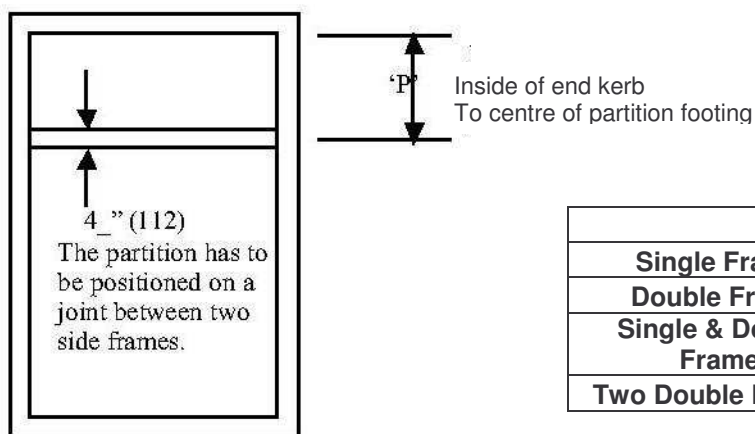
If the site for the greenhouse is not firm, level or well drained it is advisable to lay footings as illustrated below, or a perimeter row of paving slabs. The depth of the footings will depend on the nature of the ground on your site. The dimensions shown are suggested minimums, for practical purposes a spade width may be preferred.

The kerbs should be set out to the internal dimensions given ensuring the top face is level. To achieve accurate spacing of the kerbs the greenhouse cills should be used.

Note: Gaps between the kerbs are normal, these should be filled with mortar after erection of the greenhouse. As a result of the manufacturing process, kerbs can sometimes be uneven on the underside and will need to be bedded on a dry sand/cement mix to correct any inaccuracy in levels.



PARTITION FOUNDATIONS



	Approx	Dim 'P'
Single Frame	2'6"	2'4" (734mm)
Double Frame	5'0"	4'10" (1493mm)
Single & Double Frame	7'6"	7'5" (2271mm)
Two Double Frames	10'0"	9'11" (3030mm)

Note: Model Lengths 10', 15' & 20' only have double frames. Model Lengths 8', 13' & 18' have double and single frames. Set out perimeter kerbs to ensure they lie square. Partition kerbs can be installed when positioning partition.

GENERAL: Please see our base kerb dimensions sheet for further size information.